

REV/ISS	AMENDMENTS	DRAWN	CHKD	D.O.	APVD	DATE
3A		MAJ				
2B	CHANGED L305 FROM 35H45 TO 35H40	DAVES				
2A	7094.7129.0000.7130	DAVES				
1A	D-RUN-UPDATE	DAVES				
0A	ORIGINAL	DAVES				

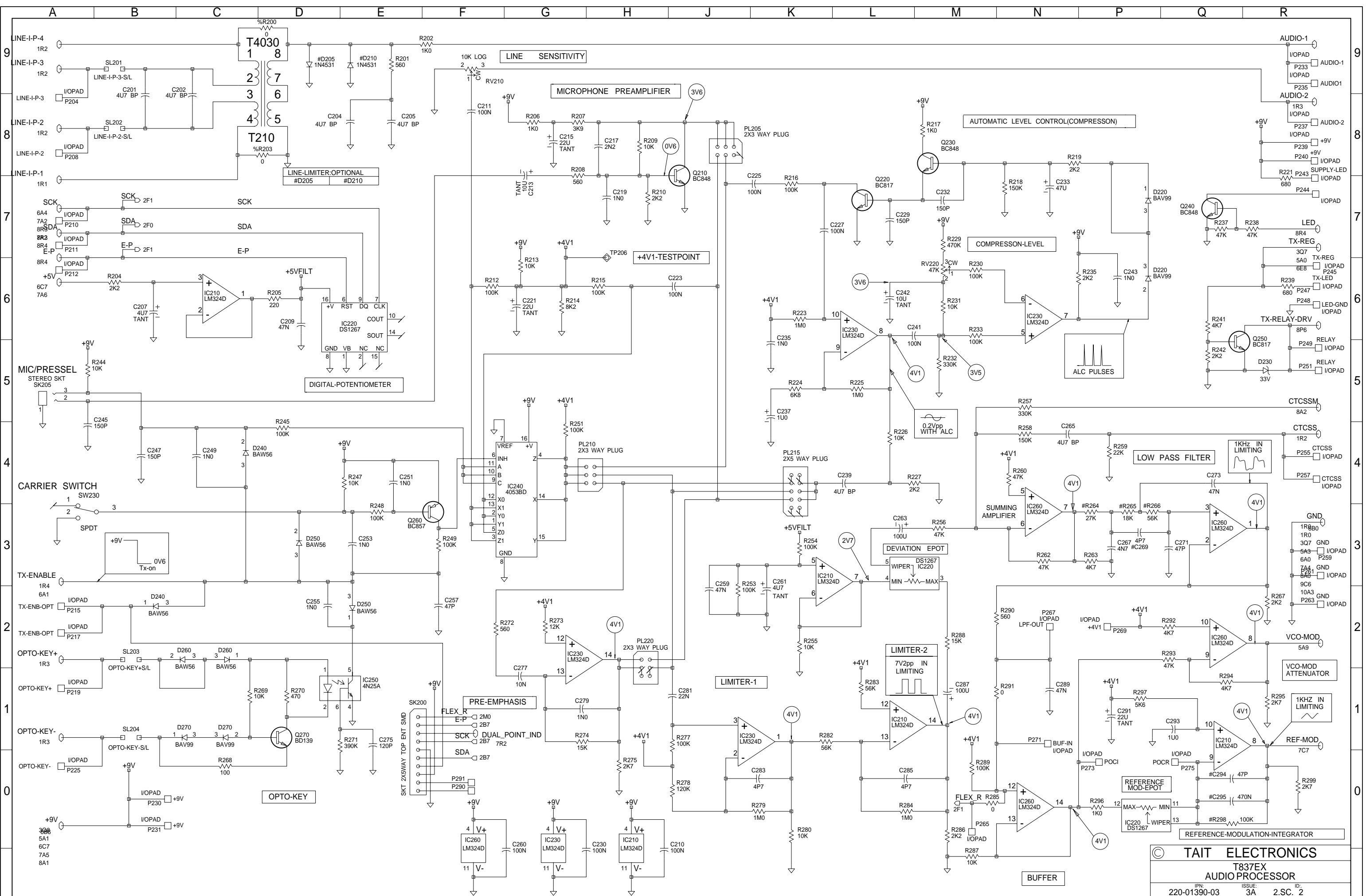
PL100
15 WAY R-ANGLE DRANGE PLUG

OUT-OF-CIRCUIT-DATA
SHEET 10

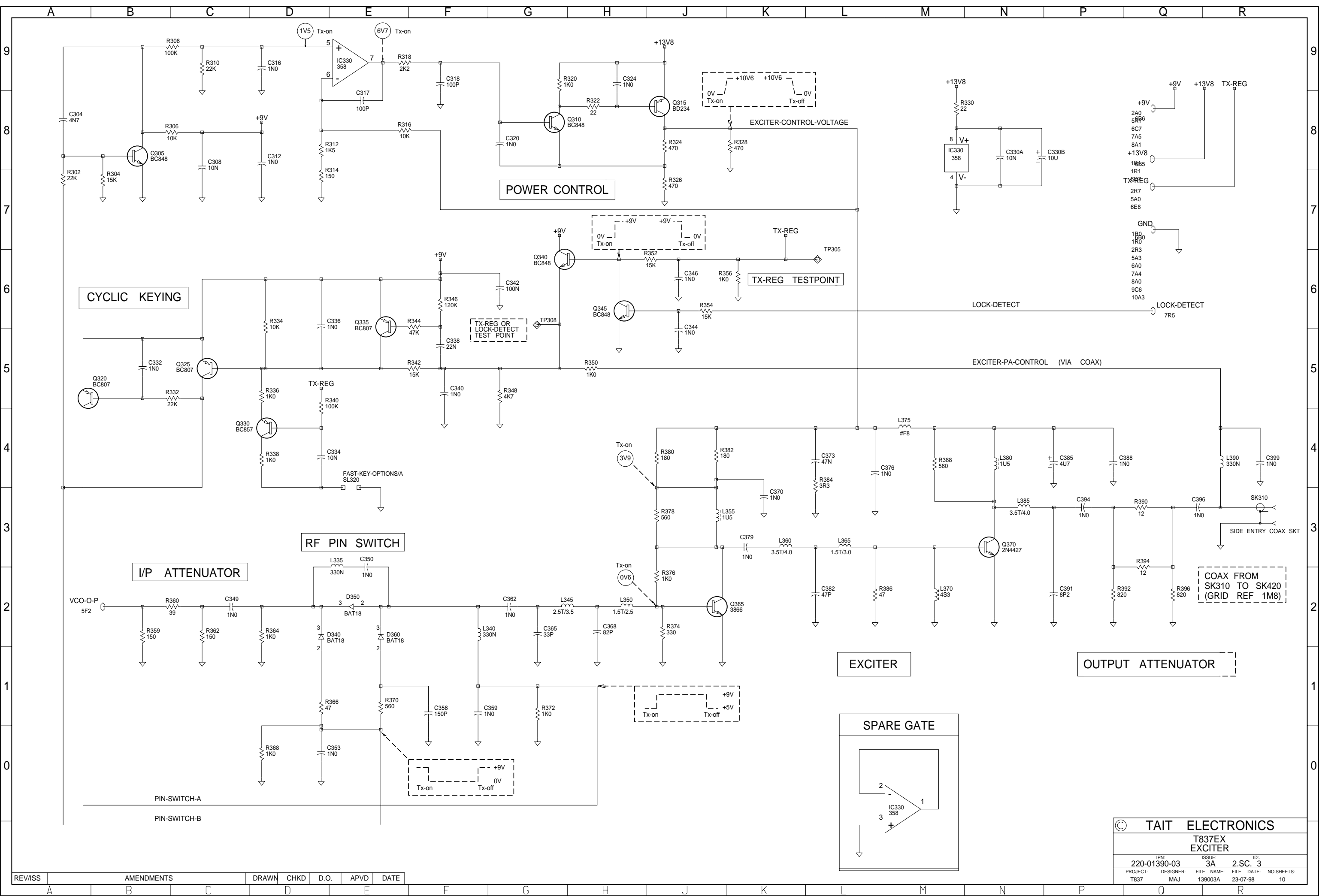
© TAIT ELECTRONICS
T837EX

IPN: 220-01390-03 ISSUE: 3A ID: 2.S.C. 1

PROJECT: T837 DESIGNER: MAJ FILE NAME: 139003A FILE DATE: 23-07-98 NO.SHEETS: 10



REV/ISS	AMENDMENTS	DRAWN	CHKD	D.O.	APVD	DATE



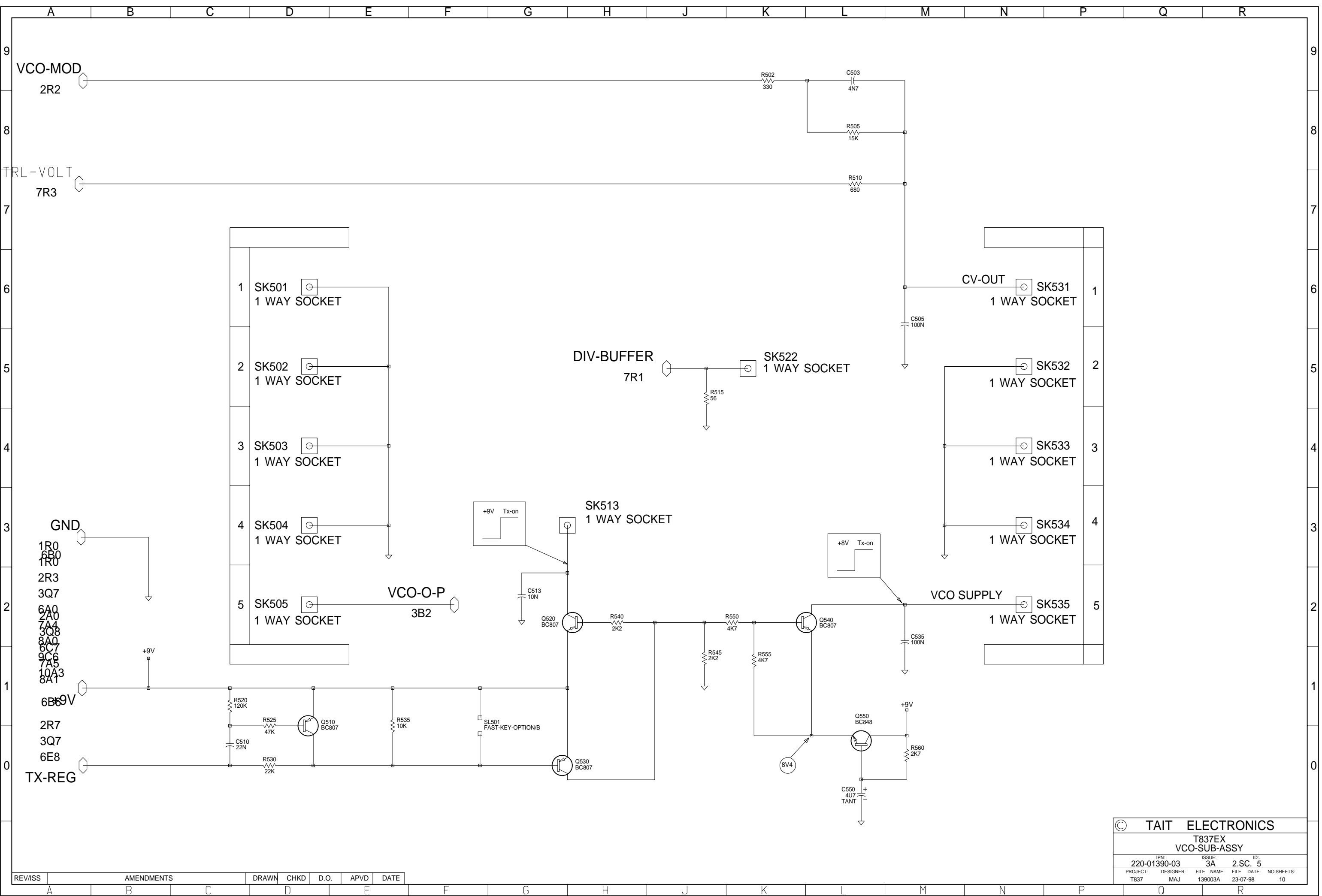
© TAIT ELECTRONICS			
T837EX EXCITER			
IPN: 220-01390-03	ISSUE: 3A	ID: 2.S.C. 3	
PROJECT: T837	DESIGNER: MAJ	FILE NAME: 139003A	NO. SHEETS: 10

REV/ISS	AMENDMENTS	DRAWN	CHKD	D.O.	APVD	DATE
A						

	A	B	C	D	E	F	G	H	J	K	L	M	N	P	Q	R
9																
8																
7																
6																
5																
4																
3																
2																
1																
0																

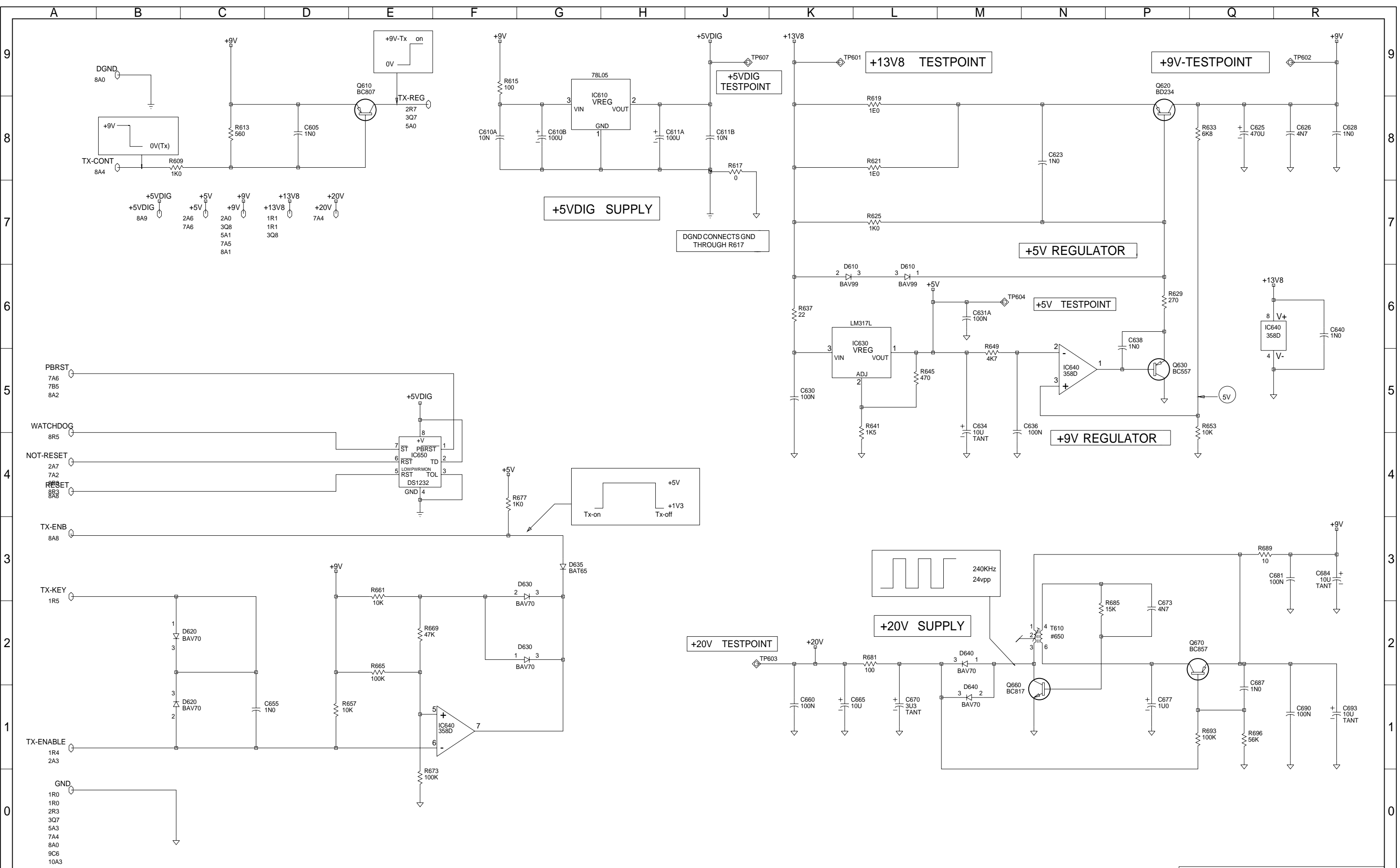
© TAIT ELECTRONICS				
T837EX				
IPN:	ISSUE:	ID:		
220-01390-03	3A	2.SC. 4		
PROJECT:	DESIGNER:	FILE NAME:	FILE DATE:	NO.SHEETS:
T837	MAJ	139003A	23-07-98	10

REV/ISS	AMENDMENTS			DRAWN	CHKD	D.O.	APVD	DATE
	A	B	C	D	E	F	G	H

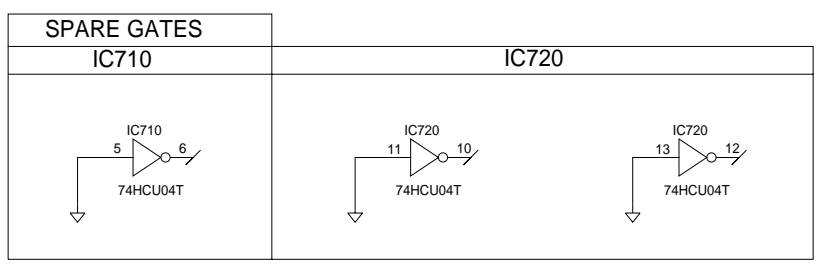
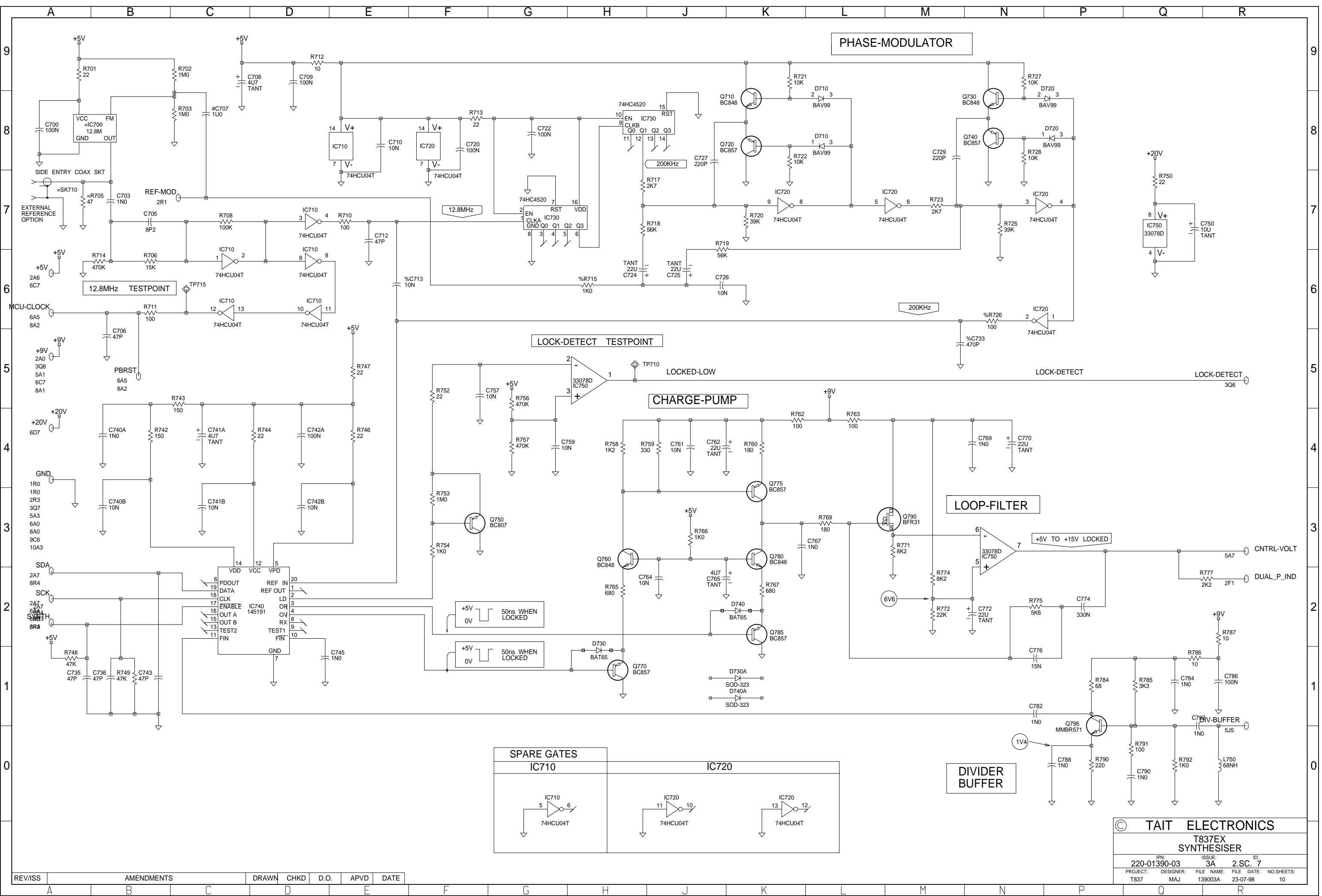


© TAIT ELECTRONICS			
T837EX VCO-SUB-ASSY			
IPN: 220-01390-03	ISSUE: 3A	ID: 2.SC. 5	
PROJECT: T837	DESIGNER: MAJ	FILE NAME: 139003A	FILE DATE: NO.SHEETS: 23-07-98 10

REV/ISS	AMENDMENTS	DRAWN	CHKD	D.O.	APVD	DATE



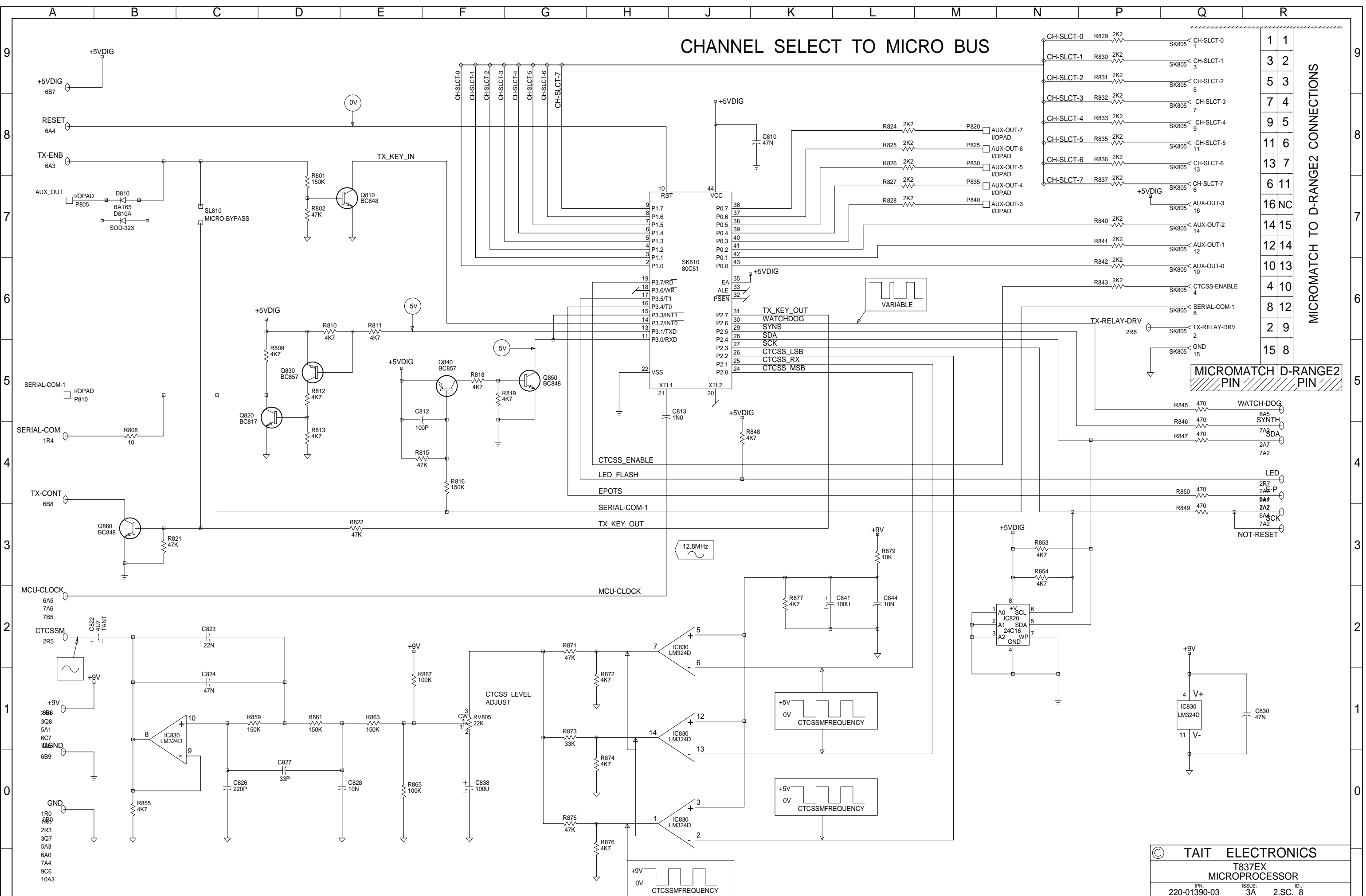
REV/ISS	AMENDMENTS	DRAWN	CHKD	D.O.	APVD	DATE
A						



© **TAIT ELECTRONICS**
T837EX SYNTHESIZER
 IPN: 220-01390-03 ISSUE: 3A ID: 2.S.C. 7
 PROJECT: T837 DESIGNER: MAJ FILE NAME: 139003A FILE DATE: 23-07-98 NO.SHEETS: 10

REV/ISS	AMENDMENTS	DRAWN	CHKD	D.O.	APVD	DATE
A						

CHANNEL SELECT TO MICRO BUS



MICROMATCH TO D-RANGE2 CONNECTIONS

MICROMATCH D-RANGE2 PIN

TAIT ELECTRONICS			
T837EX MICROPROCESSOR			
IPN: 220-01390-03	ISSUE: 3A	ID: 2.S.C. 8	
PROJECT: T837	DESIGNER: MAJ	FILE NAME: 139003A	FILE DATE: 23-07-98
			NO. SHEETS: 10

REV/ISS	AMENDMENTS	DRAWN	CHKD	D.O.	APVD	DATE
A						

A B C D E F G H J K L M

9

8

7

6

5

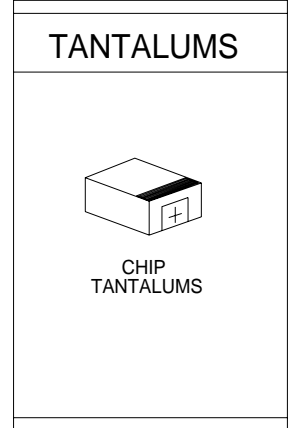
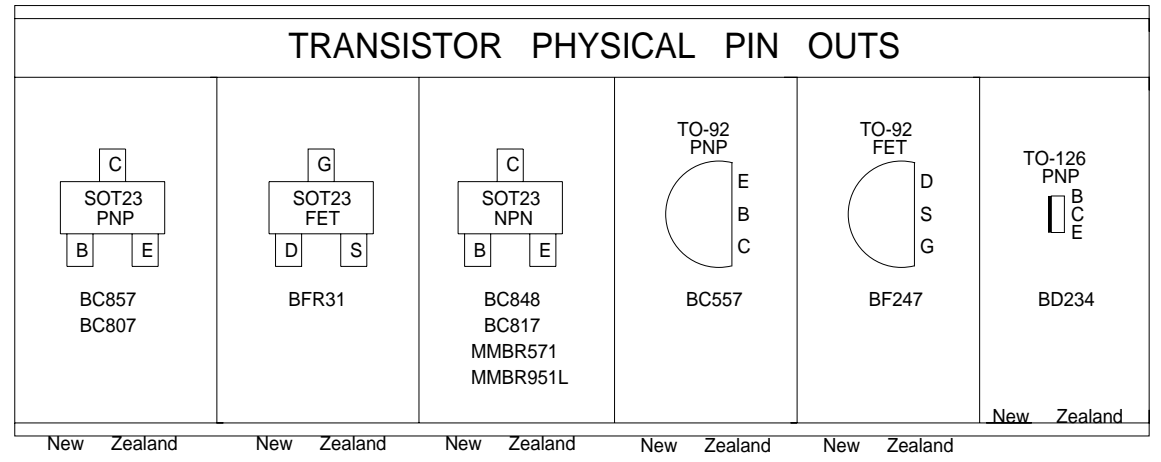
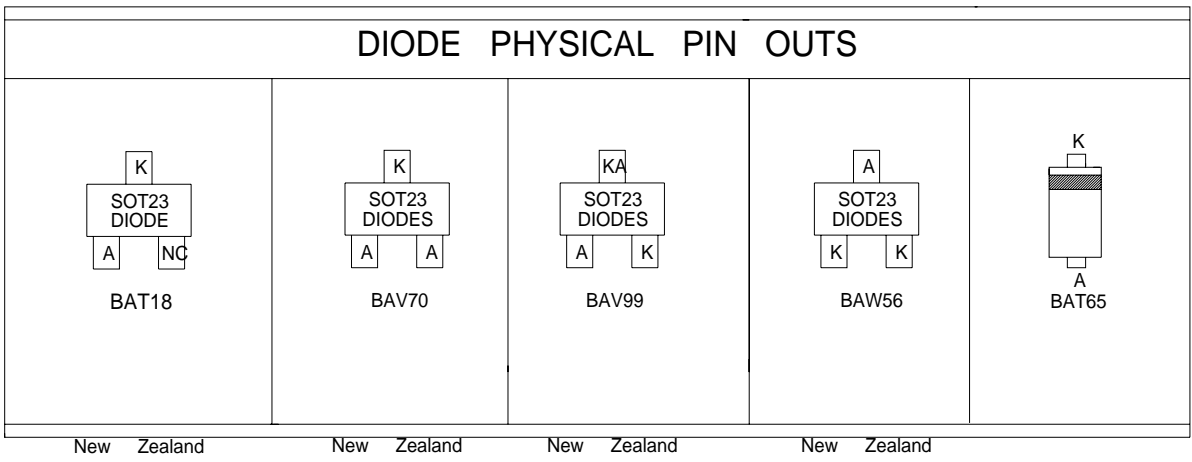
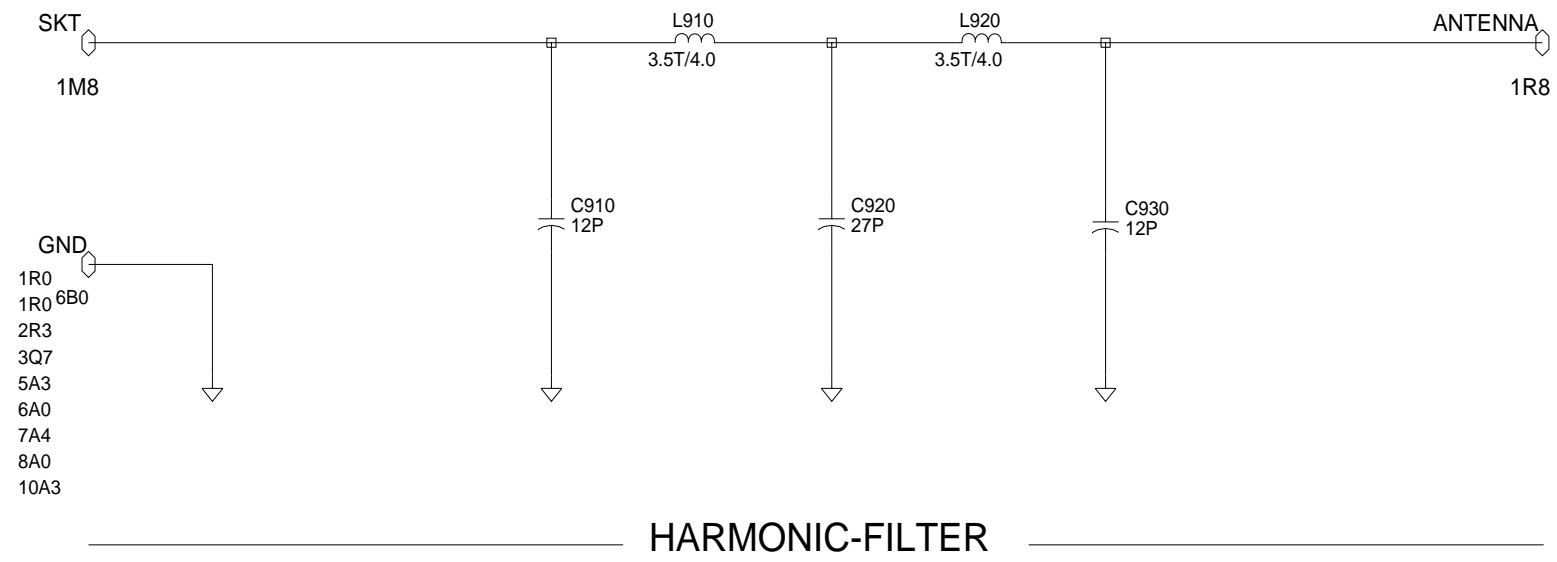
4

3

2

1

0



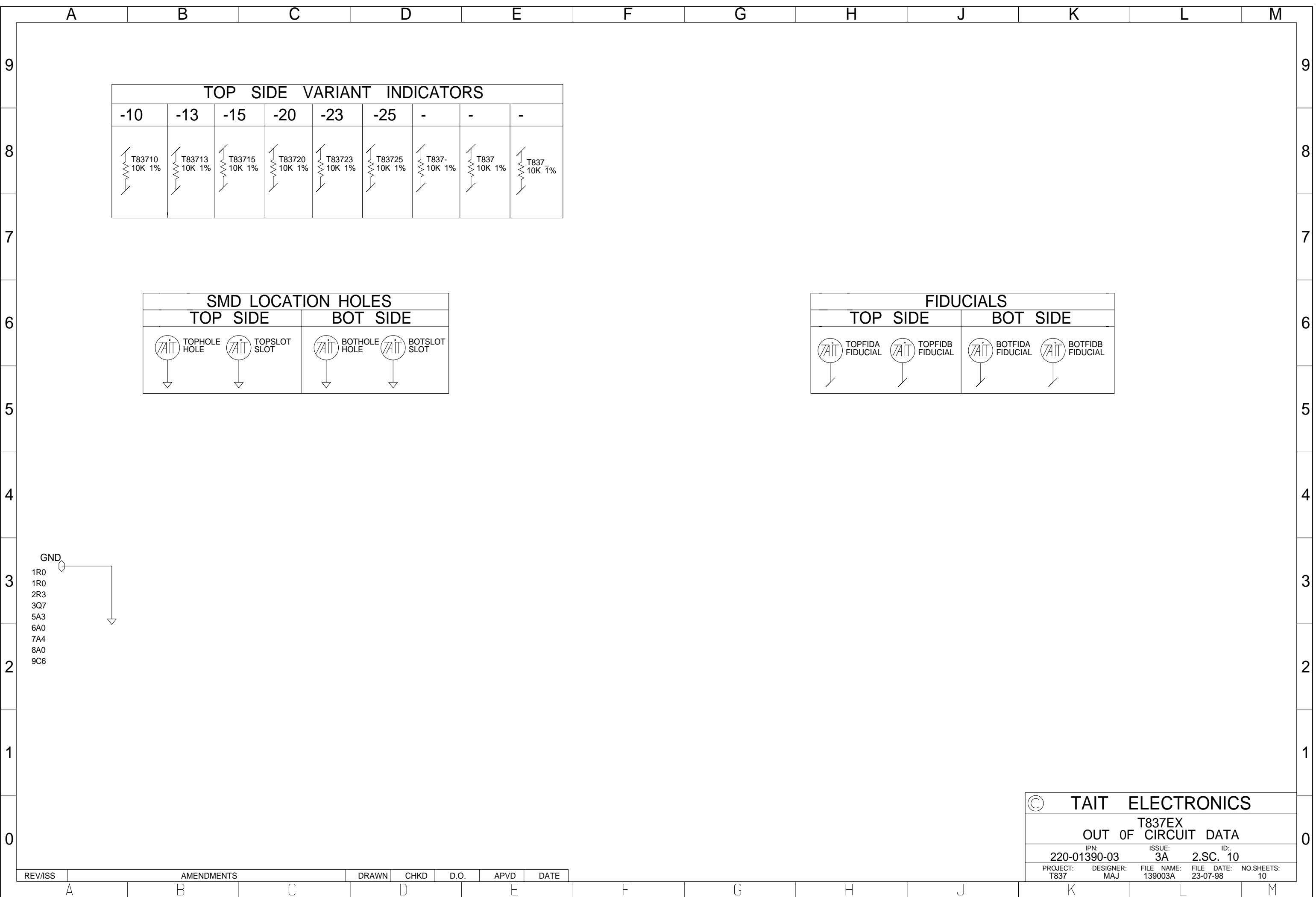
© **TAIT ELECTRONICS**

**T837EX
HARMONIC-FILTER**

IPN:	ISSUE:	ID:
220-01390-03	3A	2.SC. 9
PROJECT:	DESIGNER:	FILE NAME:
T837	MAJ	139003A
FILE DATE:	NO. SHEETS:	
23-07-98	10	

REV/ISS	AMENDMENTS	DRAWN	CHKD	D.O.	APVD	DATE
---------	------------	-------	------	------	------	------

A B C D E F G H J K L M



TOP SIDE VARIANT INDICATORS								
-10	-13	-15	-20	-23	-25	-	-	-
T83710 10K 1%	T83713 10K 1%	T83715 10K 1%	T83720 10K 1%	T83723 10K 1%	T83725 10K 1%	T837- 10K 1%	T837 10K 1%	T837 10K 1%

SMD LOCATION HOLES			
TOP SIDE		BOT SIDE	
TOPHOLE HOLE	TOPSLOT SLOT	BOTHOLE HOLE	BOTSLOT SLOT

FIDUCIALS			
TOP SIDE		BOT SIDE	
TOPFIDA FIDUCIAL	TOPFIDB FIDUCIAL	BOTFIDA FIDUCIAL	BOTFIDB FIDUCIAL

- GND
- 1R0
 - 1R0
 - 2R3
 - 3Q7
 - 5A3
 - 6A0
 - 7A4
 - 8A0
 - 9C6

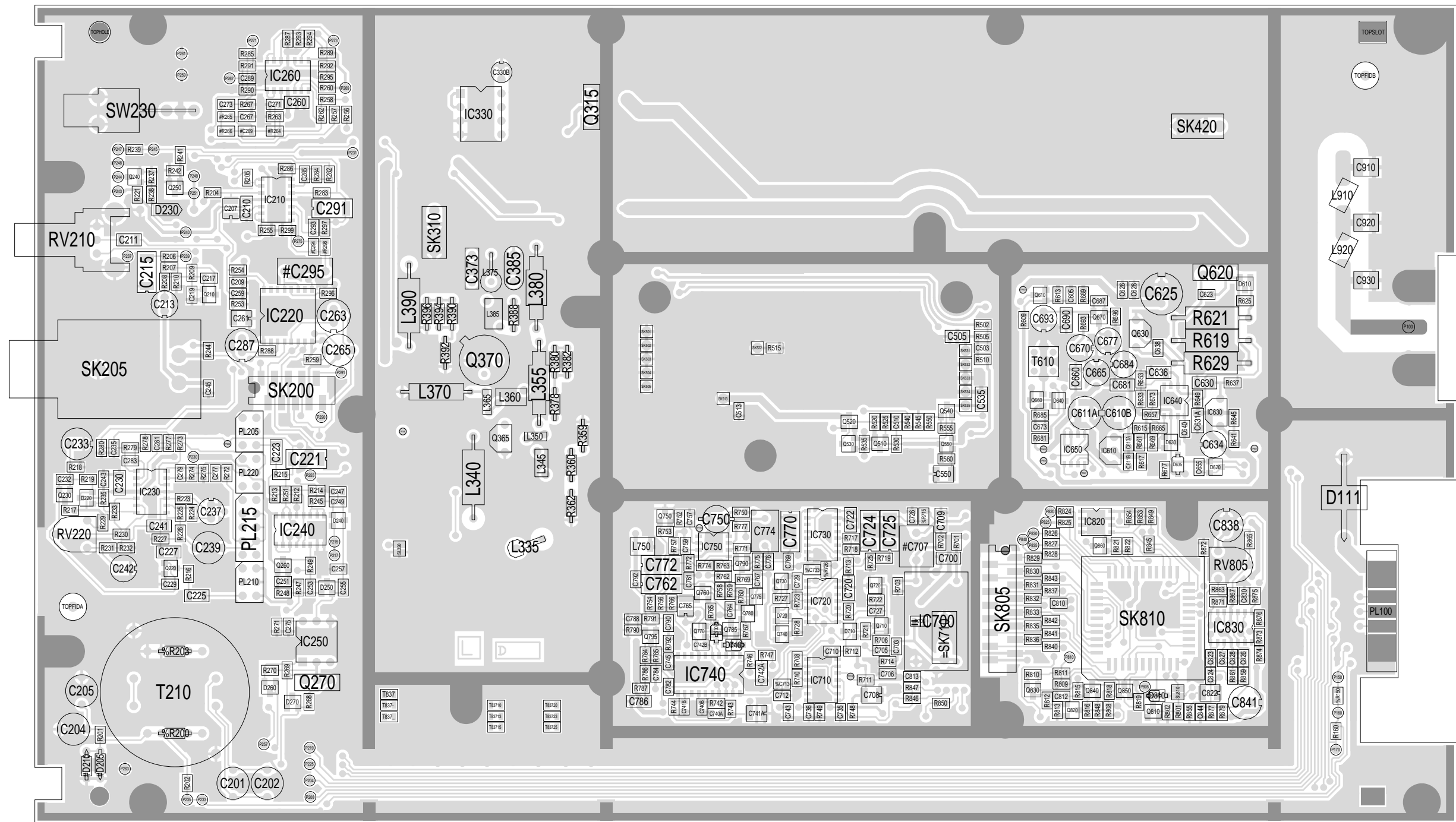
© TAIT ELECTRONICS

T837EX
OUT OF CIRCUIT DATA

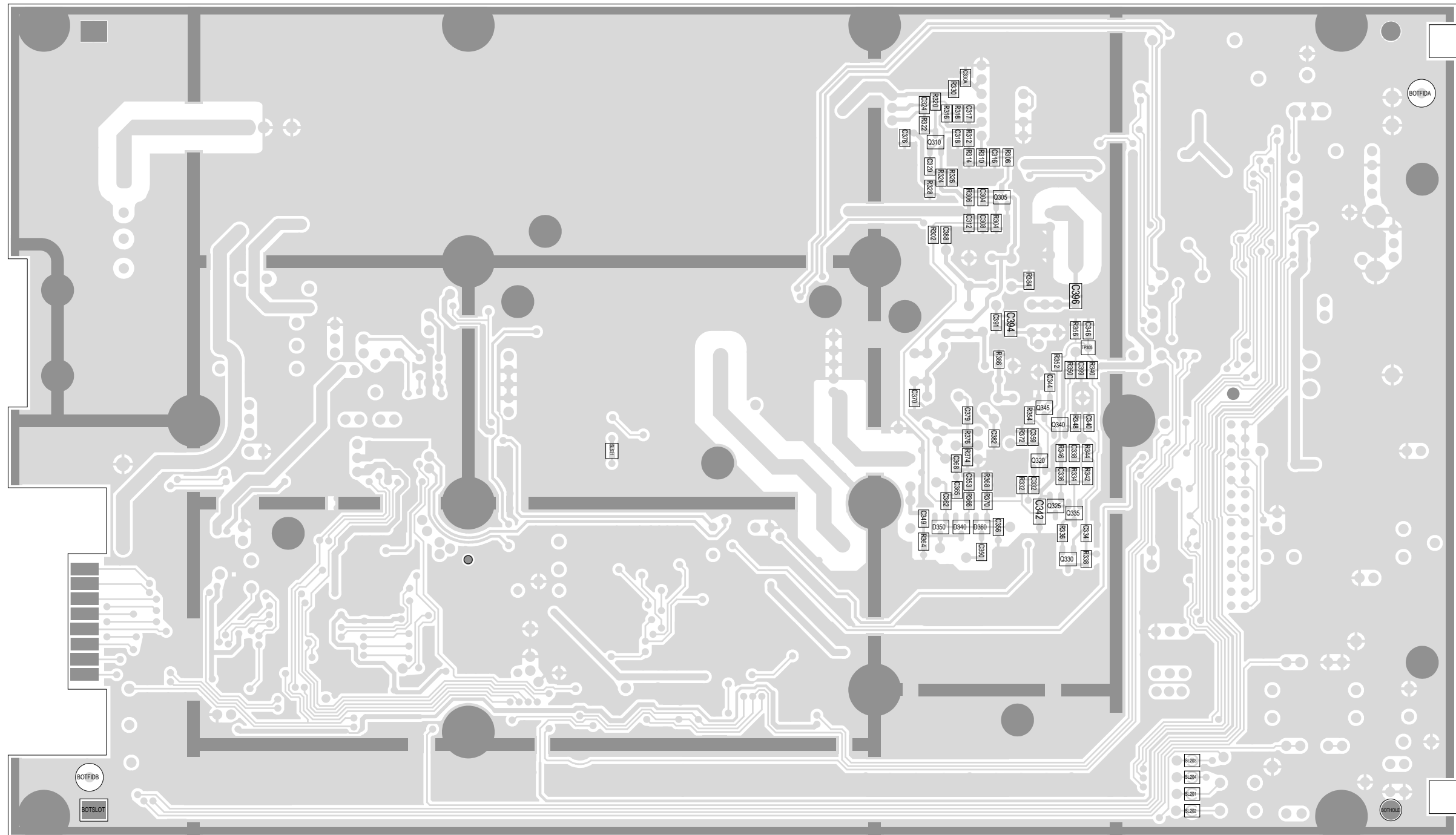
IPN: 220-01390-03 ISSUE: 3A ID: 2.SC. 10

PROJECT: T837 DESIGNER: MAJ FILE NAME: 139003A FILE DATE: 23-07-98 NO.SHEETS: 10

REV/ISS	AMENDMENTS	DRAWN	CHKD	D.O.	APVD	DATE



TAIT ELECTRONICS IPN: 220-01390-03 ISS: -03A ID: 1.TA DATE: 28 Jul 1998
 T837EXCITER PCB LAYOUT - TOP SIDE



TAIT ELECTRONICS	IPN:	ISS:	ID:	DATE:
	220-01390-03	-03A	2.BA	28 Jul 1998
T837EXCITER PCB LAYOUT - BOTTOM SIDE				

Scale: 1.2:1 ; Rotation: 0 degrees